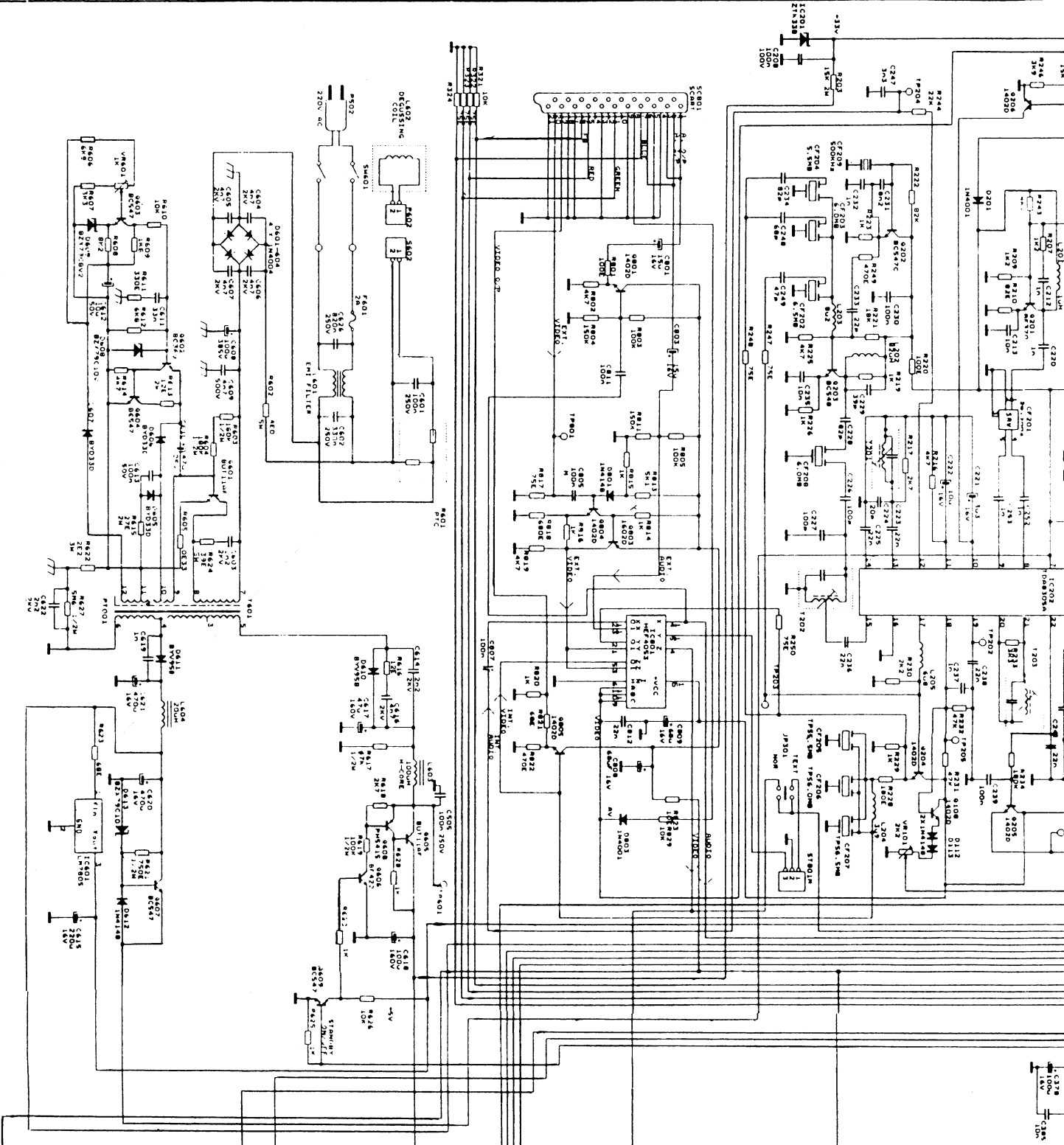
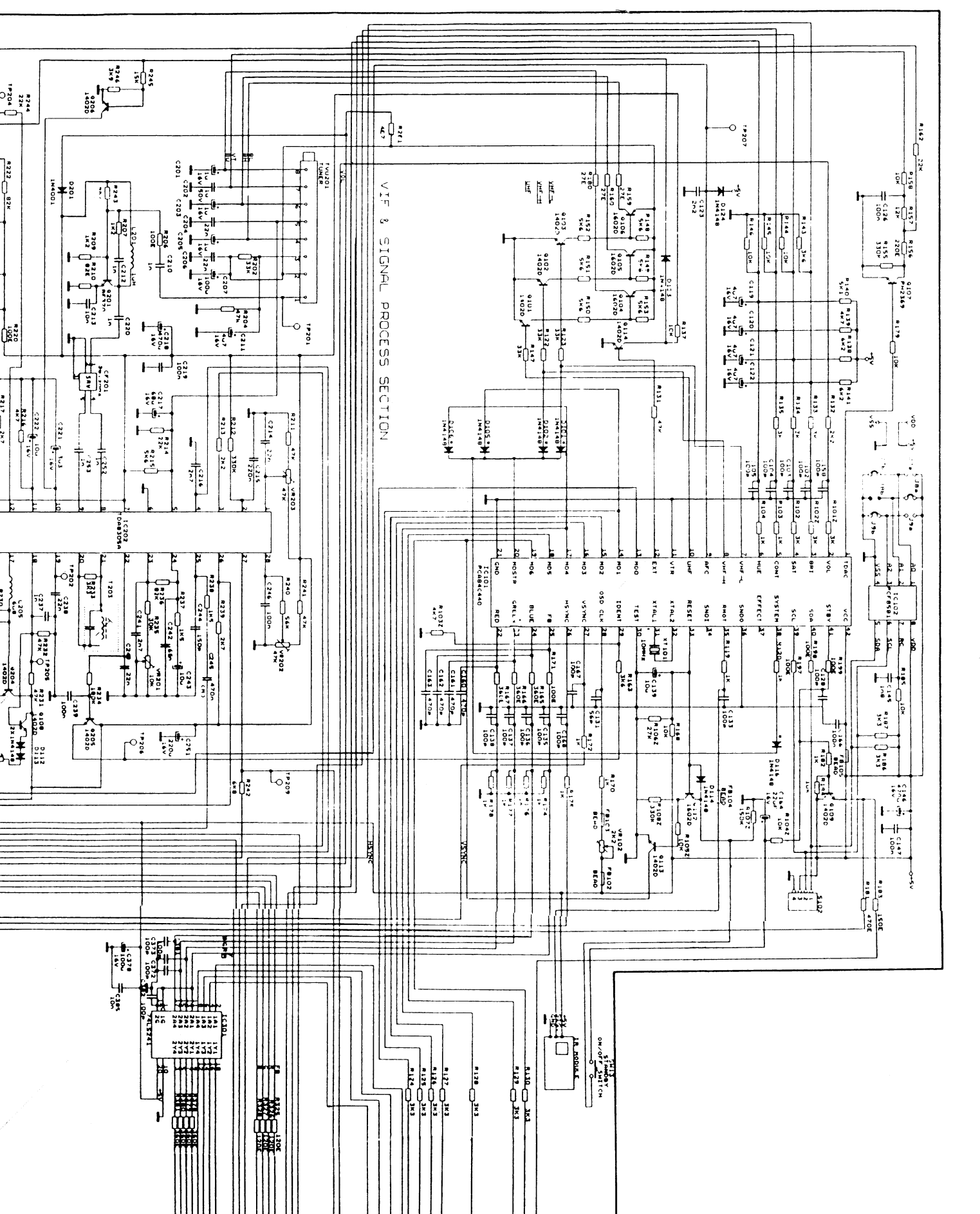
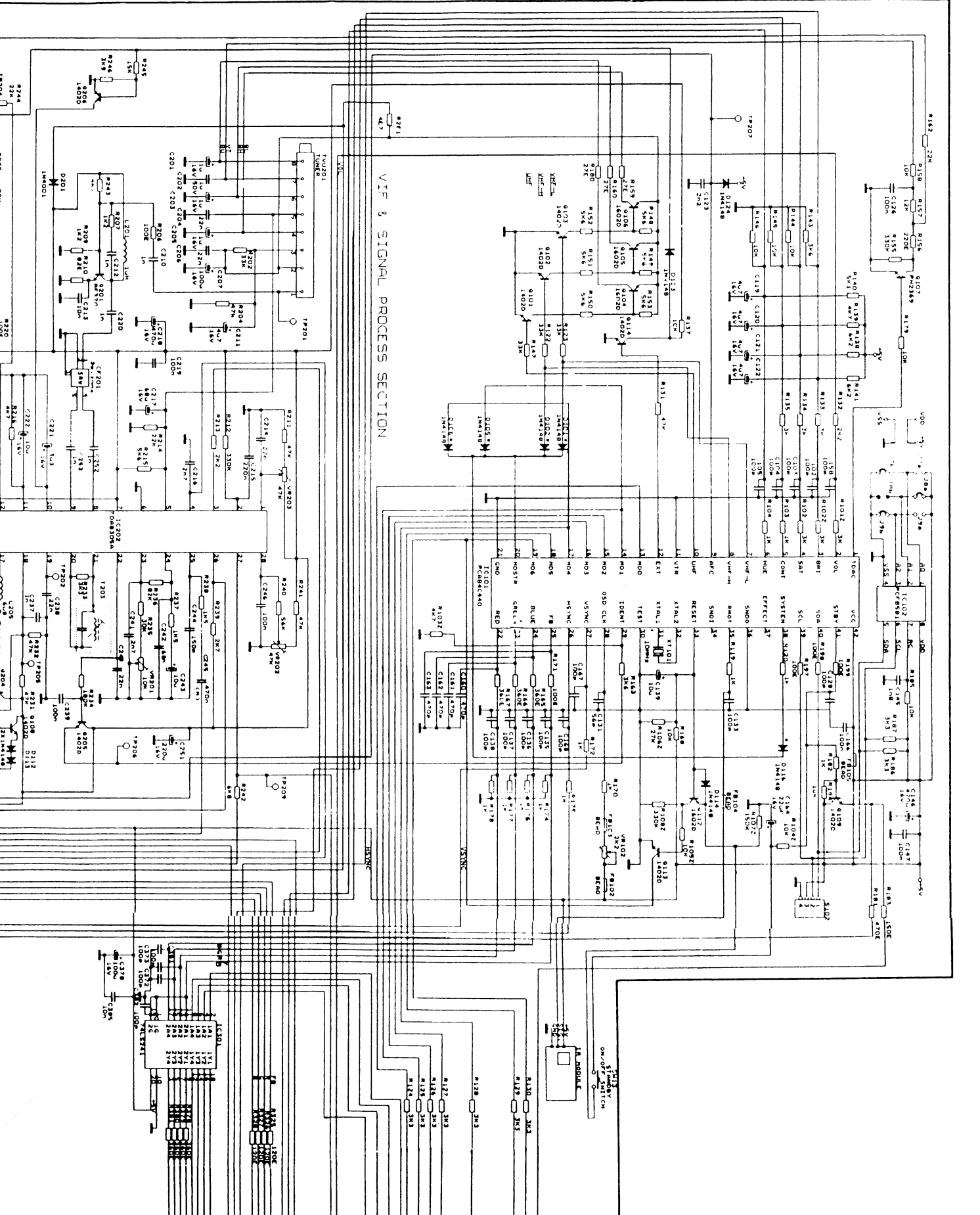


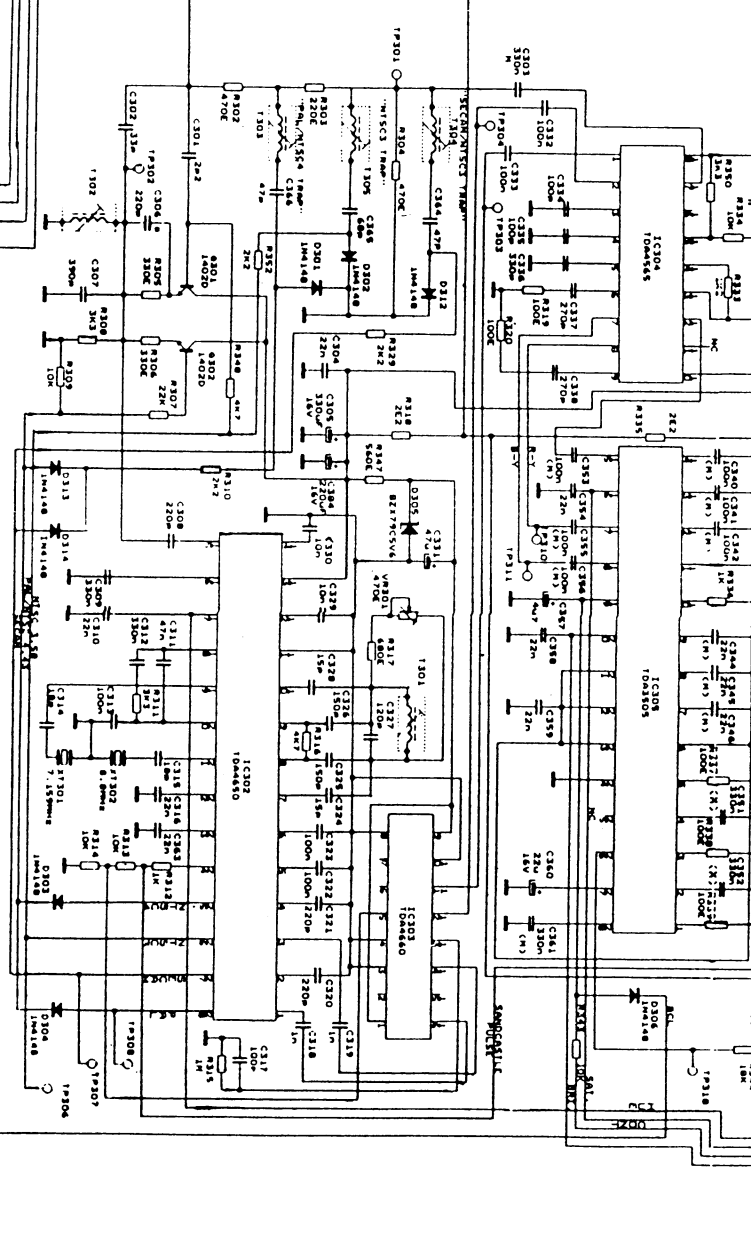
POWER SUPPLY (RMP5)



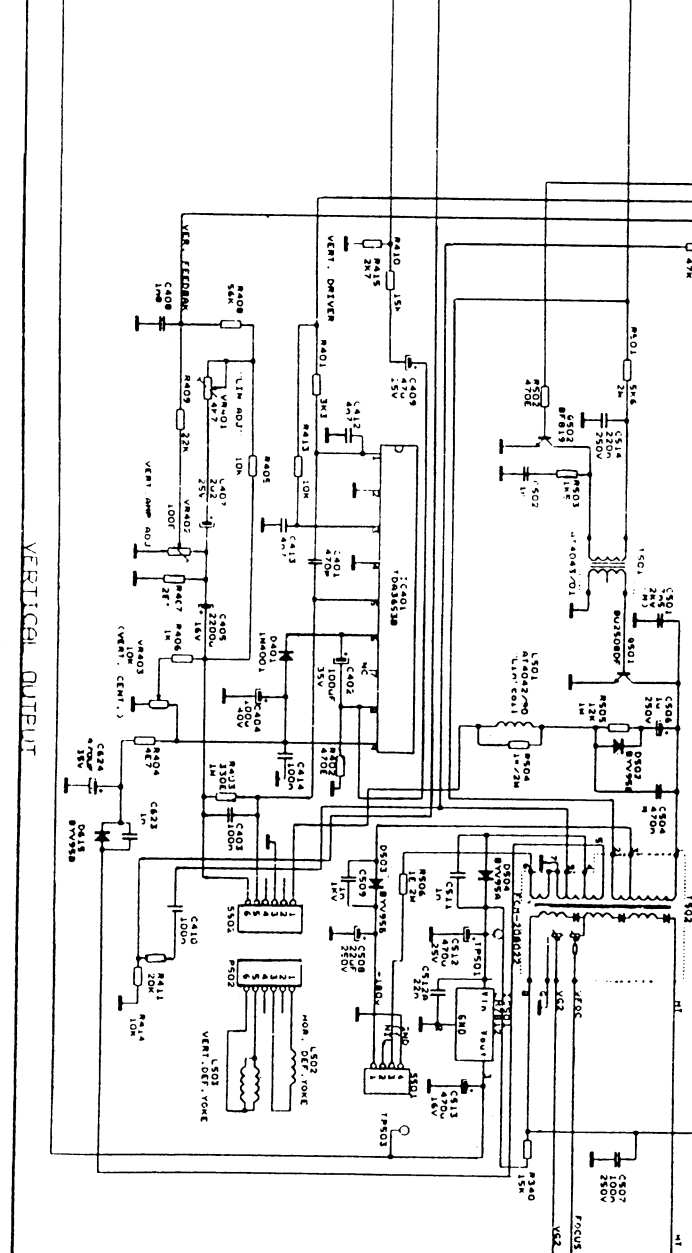


VIF & SIGNAL PROCESS SECTION

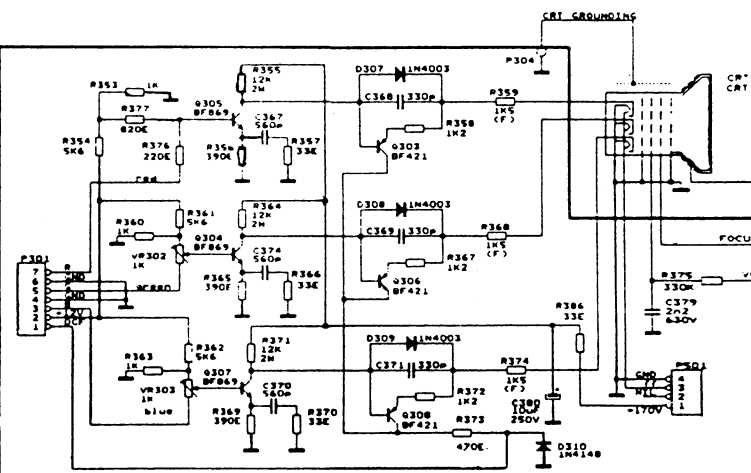




HORI. SECTION



VERTICAL OUTPUT



REMARKS:

CONTROL RANGE TABLE			
CONT.	MIN.	MAX.	CENTER
LINE	2.8V	4.0V	
PHIL	0.3V	2.4V	
SAT.	2.1V	3.1V	
LINE	1.5V	3.2V	2.8V

PRESET	7A	8A	9A
PCRS582	7A	8A	9A

TUNING	PINK16	PINK17
40MHz	OFF	ON
57MHz	OFF	OFF
41MHz	ON	OFF
83MHz	ON	ON

OPTION DIODE PRESENT  
ON - OPTION DIODE PRESENT

